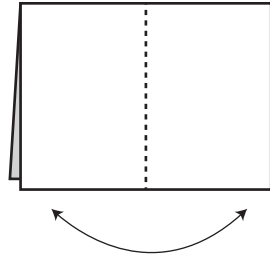
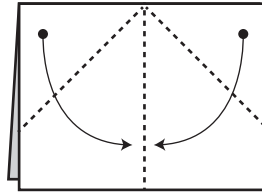


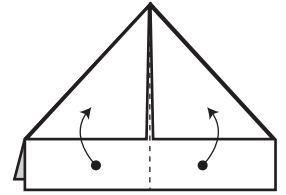
Fold piece of paper in half



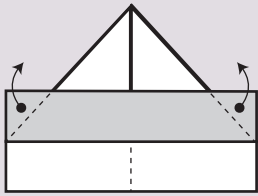
With opening facing down, fold paper in half again, then unfold



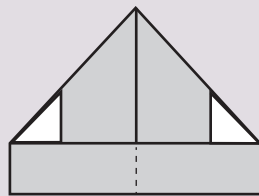
Take both top corner and match the points in the center



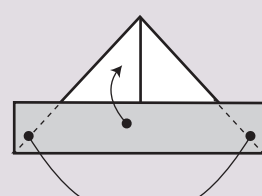
Fold bottom part upwards



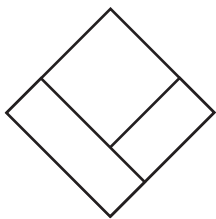
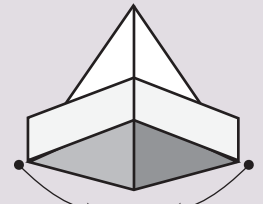
Flip over and fold corners back



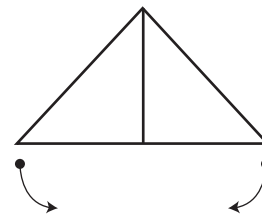
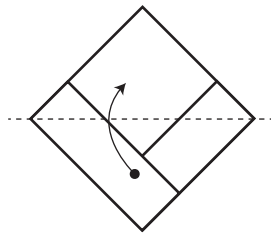
Fold remaining bottom piece up



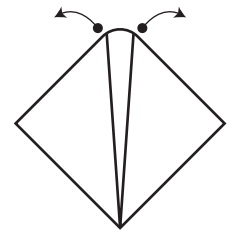
Lift the middle and push both points together



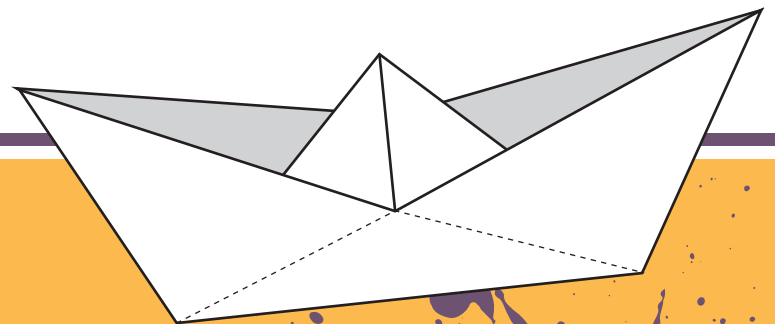
Take the new shape and fold front flap up, then turn over and fold other flap up.



Hold bottom corners and push together.



Grasp upper corners and pull apart



FOLD YOUR OWN PAPER MAYFLOWER

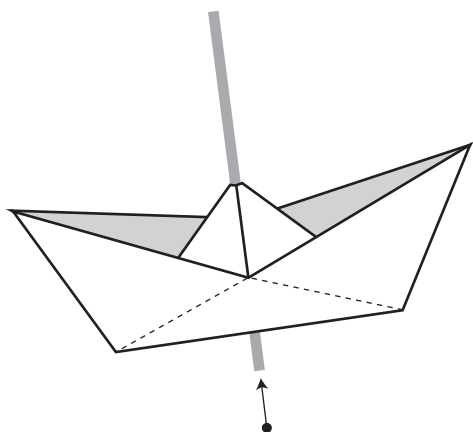
PART 1: MAKING THE BOAT

You will need:

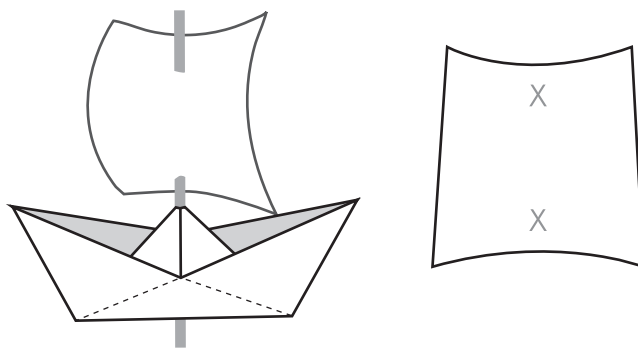
- 5 x 7 piece of paper cut out from the materials page

Follow the steps above to make the paper boat you see on the right. Then check out Part 2 to make the sails.

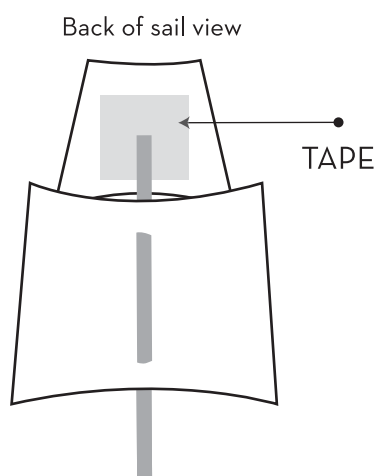




Take stick or paper clip and poke it through the bottom of the boat so it sticks out through the point.



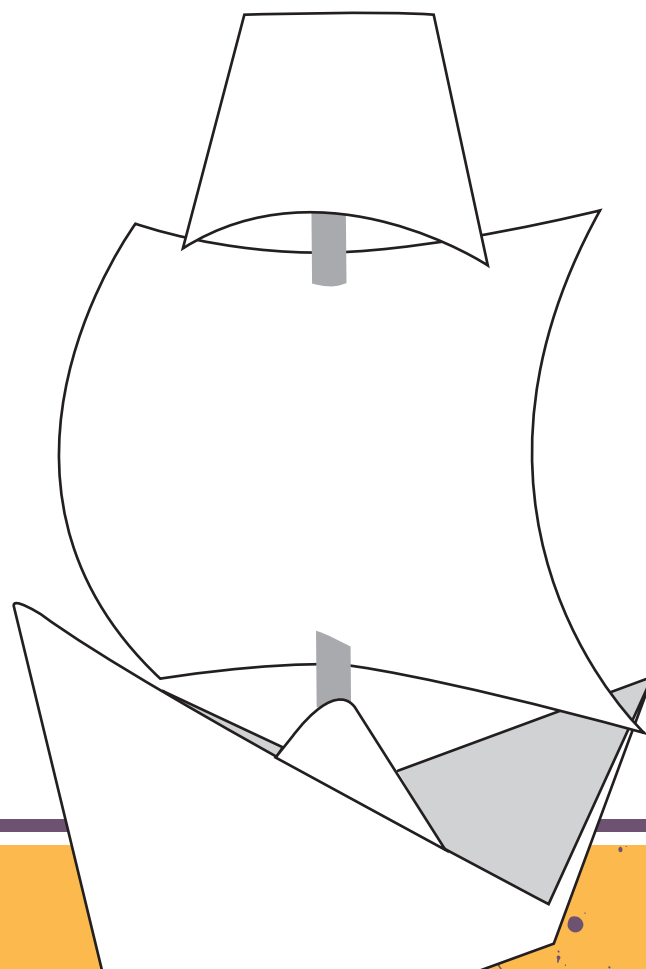
Thread the big sail onto the stick arching the sail as you do it. You can use the sail above for reference on where to poke the holes.



Take the small sail and use a piece of tape on the back to stick it on.

Cut off any extra stick that is extending out the bottom.

Now you are ready to sail the seven seas!



FOLD YOUR OWN PAPER MAYFLOWER

PART 2: MAKING THE SAILS

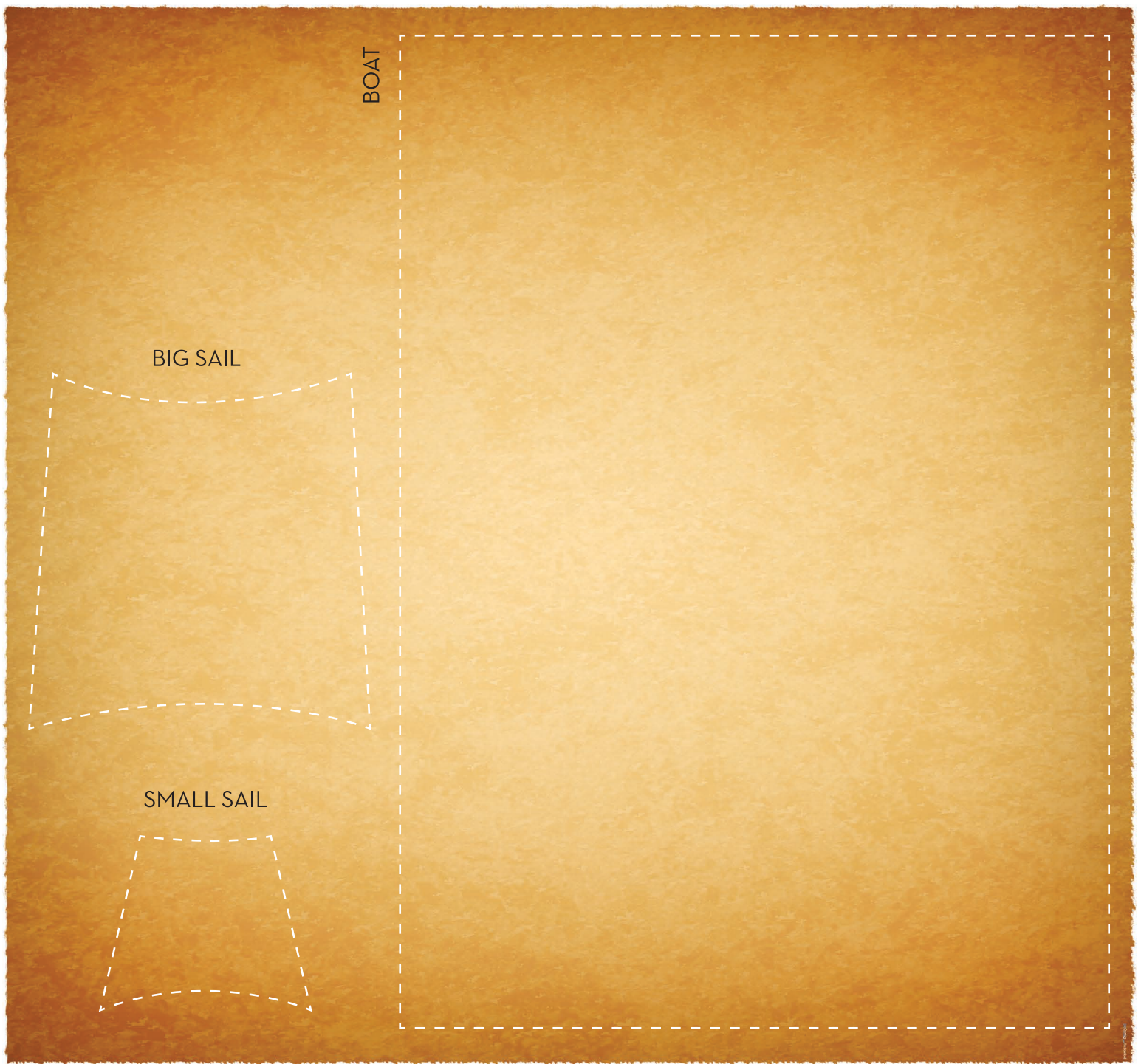
You will need:



- Two sail cut outs from the materials page
- A small stick, toothpick or unfolded paper-clip

Follow the steps above to make the paper sails to add to the boat made it Part 1.





FOLD YOUR OWN PAPER *MAYFLOWER*

MATERIALS PAGE

Use this page to cut out the shapes needed for the boat and the sails.

Want more fun stuff?

Visit www.BarnicelandHusk.com

